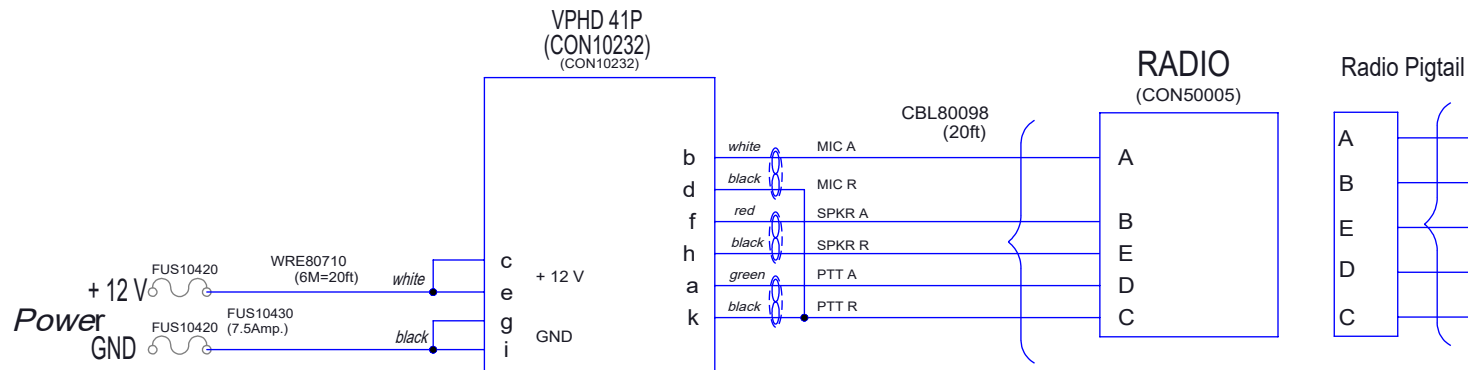
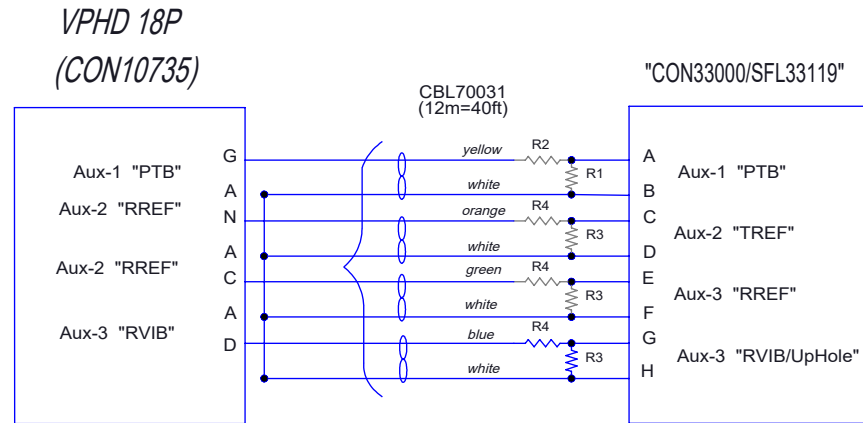


NOTES: 1. Do not tape the top portion of the cables to the bottom portion of cables during manufacturing.

REVISIONS			
REV.	DESCRIPTION	DATE	APPROVED
1B	- To delete radio pigtail (SFL97932) from the BOM and drawing. - To delete CON50015 from BOM.	20200210	Frank Z. ECN40520
1C	- To change resistor values (replaced three R1 with three R3 and replaced three R2 with three R4).	20200226	Frank Z. ECN40526
1D	- To add radio pigtail (SFL97932) back the BOM and drawing. - To increase length of CBL70031 from 6m to 12m. - To add a clear note to tape the cable properly.	20200922	Frank Z. ECN40xxx

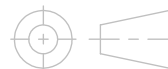


NOTES:

R1=1kOhms (RES21184), R2= 10 kOhms (RES20870), R3=75 Ohms, R4=3.4kOhms

- Symbol indicates **Shielded** twisted paired wires
- Symbol indicates twisted paired wires

CAD DRAWING
NO MANUAL
CHANGES
PERMITTED



DRAWN BY	FZ/JH	DATE	20200922	UNLESS OTHERWISE SPECIFIED: DIMENSIONS ARE IN INCHES TOLERANCES: FRACTIONAL $\pm 1/32$ ANGULAR: MACH $\pm 2^\circ$ TWO PLACE DECIMAL ± 0.020 THREE PLACE DECIMAL ± 0.005
APPROVALS				
CHECKED	JH	DATE	20200922	
ENG APPR.	FZ	DATE	20200922	
MFG APPR.		DATE		
Q.C.		DATE		

MATERIAL
FINISH



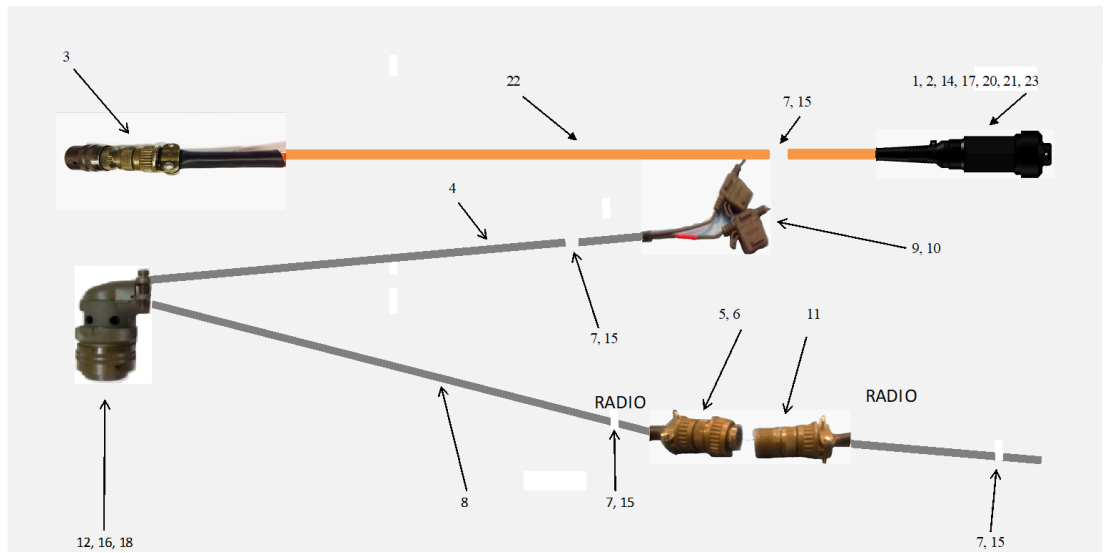
TITLE:
**VPHD to Quantum Aux
Cable - SFL30090**

PROPRIETARY AND CONFIDENTIAL

THIS DRAWING/DESIGNS AND OR PROCESS/PROCEDURES OUTLINED
HEREIN ARE THE PROPERTY OF INOVA SYSTEMS CORPORATION AND
MAY NOT BE DUPLICATED OR REPRODUCED IN ANY FORM WITHOUT
THE EXPRESS WRITTEN CONSENT OF INOVA SYSTEMS CORPORATION.

SIZE DWG. NO. REV:
A VPHD to Quantum Aux Cable - SFL30090 1D 1D

SCALE:1:30 DO NOT SCALE DRAWING SHEET 1 OF 2



ITEM NO	PART NUMBER	DESCRIPTION	QTY
1	RES21184	RES,01K0,____,MF,.01%, .25W,__PPM	1 EA
2	RES20870	RES,10K0,____,____,05%, .25W,__PPM	1 EA
3	CON10735	CON, 018P ,CM ,F	1 EA
4	WRE80710	WRE,14AWG,1 TP	6.096 m
5	CON50005	CON, 5 PIN,F WTH BOOT (SHOT PRO)	1 EA
7	MIS10239	CS315 3x1.5" MS-2220 label*DO NOT PICK*	3 EA
8	CBL80098	CBL,3PR,TWSTED SHLD	6.096 m
9	FUS10430	FUSE,7.5A 32V BROWN ATC,BLADE	2 EA
10	FUS10420	FUSE HOLDER, BLADE 283-2357-ND	2 EA
11	SFL97932	PELTON RADIO PIGTAIL	1 EA
12	CON10232	CON, 041PIN, CBL MT SOCKET CONTACTS	1 EA
13	MIS80245	HEAT SHRINK,ADHESIVE 3/4"	0.625 ft
14	MIS80018	HEAT SHRINK,3/32",TUBING BLK	0.6 m
15	MIS80251	HEAT SHRINK, 3/8", CLEAR	0.396 Ea
16	MIS80241	HEATSHRNK,EPS-300,ADH3/16"	0.0508 m
17	MIS80244	HEATSHRNK,EPS-300,ADH1/2"	0.167 Ea
18	MIS80007	HEAT SHRINK,1/8" BLACK	0.3048 m
19	MIS80242	HEATSHRNK,EPS-300,ADH1/4"	0.0762 m
20	CON33000	G3i,CBL HEAD BDY,20-12	1 EA
21	SFL33119	G3i,FIN,12 PIN SI INS	1 EA
22	CBL70031	CBL,26G2/28G04/0000M00000 .036 DIGS	12 m
23	MIS80255	HEAT SHRINK, 1/4", RED,WTH GLUE	0.0208 EA
24	RES20018	RES,3K40,TH,MF,1%,0.25W	3 EA
25	RES20083	RES,75R0,____,MF,.01%, 0.25W,__PPM	3 EA

NOTES:

1. EACH CABLE IS LABELED,LABLE LOCATED 3 INCHES BELOW THE CONNECTOR.
2. ID LABEL IS 3 FEET FROM THE SPM CONNECTOR.



TITLE:
VPHD to Quantum Aux Cable - SFL30090

PROPRIETARY AND CONFIDENTIAL

THIS DRAWING/DESIGNS AND OR PROCESS/PROCEDURES OUTLINED HEREIN ARE THE PROPERTY OF INOVA SYSTEMS CORPORATION AND MAY NOT BE DUPLICATED OR REPRODUCED IN ANY FORM WITHOUT THE EXPRESS WRITTEN CONSENT OF INOVA SYSTEMS CORPORATION.

SIZE: DWG. NO. REV:
A VPHD to Quantum Aux Cable - SFL30090 1D 1D

SCALE:1:30 DO NOT SCALE DRAWING SHEET 2 OF 2